



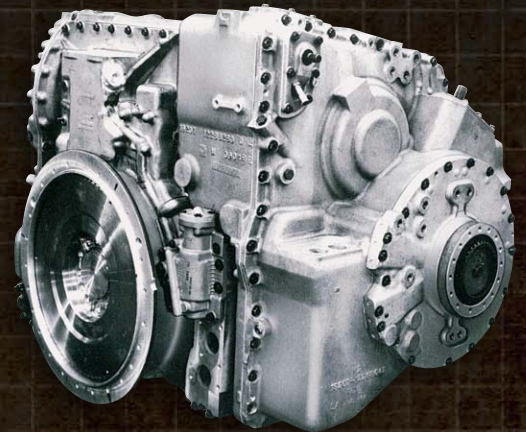
# ALLISON 5043 MXH

**1200 – 1500 HP (895 – 1120 kW) ENGINES | 50 – 70+ TON VEHICLES**

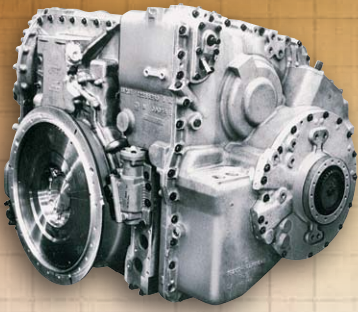
Since 1946, Allison Transmission has been designing and manufacturing transmissions and powertrains for U.S. and Allied military vehicles of all kinds. It's a proud heritage woven into the very fabric of our company.

Modern armored vehicles must be survivable, lethal and highly mobile. These requirements are at odds with one another. While superior mobility requires powerful and complex engine/drive systems, there must be adequate interior hull space for ammunition, fuel, cooling system and other necessary equipment. The answer is a compact, lightweight, highly durable, easily operated Allison Military Series powertrain.

- ◆ *Propulsion, steering and braking integrated in a compact package*
- ◆ *Ease of operation minimizes driver training*
- ◆ *Standard features protect powertrain and vehicle*
- ◆ *Modular design provides integration ease and flexibility*
- ◆ *Optimized for performance, high reliability, durability, and minimum cost*



**DRIVING** ★  
**EXCELLENCE**  
★★ **FOR THE WARFIGHTER**®



# Allison Automatic Transmission 5043 MXH



## 5043 MXH RATINGS

### Nominal Input Power

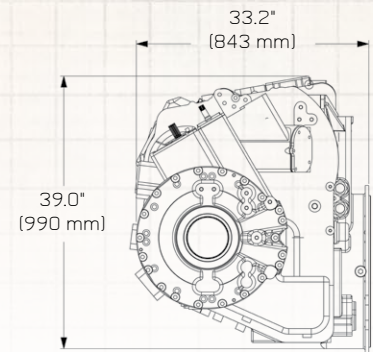
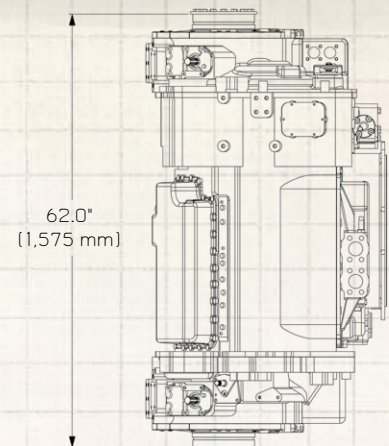
1200-1500 hp (895-1120 kW)

### Nominal Vehicle Weight

50-70+ tons (45-63+ tonnes)

- ◆ *Full authority electric over hydraulic controls provide*
  - *Fully automatic range and lock-up shifts*
  - *Range hold feature*
  - *Full complement of shift inhibits*
  - *Mode retention with loss of electrical power*
  - *Battle damage range override*
  - *Integrated tow starting*
- ◆ *Output driven hydrostatically controlled differential steering*
  - *Infinitely variable*
  - *Smooth and predictable control under all conditions*
  - *Locked track protection*
- ◆ *Oil cooled power assisted service brakes*
- ◆ *Independent park and emergency brake*
- ◆ *High-speed reverse*
- ◆ *Integration flexibility and full design capability for customized applications*

*Complete design capabilities available. Please contact Allison Transmission to discuss how we can help meet your custom powertrain needs.*



Nominal Transmission Weight  
4125 lbs. (1871 kg)