

Revisions to this document are noted by a stripe in the left-hand margin.

#901B
Page 1 of 3

SUBJECT: Release of AT Improved Media Sump Filter

MODELS AFFECTED: All AT 500 Model Transmissions With 5.3 Inch Deep Oil Pan

AFFECTED SERIAL NUMBER: S/N 3211110729
ReTran® S/N 9108124578

Introduction:

A new internal sump filter was released near end of production for the AT 500 transmission with the 5.3 inch deep oil pan. This filter change was to improve sump filtration and shift quality. Former design filters may be similar in appearance, but do not achieve filtration performance of the improved media current design filter, P/N 29538474.

Interchangeability:

The current filter P/N 29538474, will completely replace all former filters for use in AT 500 model transmissions with the 5.3 inch (deep) oil pan. When servicing an AT transmission with the 5.3 inch (deep) oil pan, the current filter **must be** used. AT transmissions with the 5.3 inch (deep) oil pan equipped with former design brass screen filter will require conversion parts listed within this document. AT 500 model transmissions with the 3.8 inch (shallow) oil pan will continue to use the brass screen sump filter kit, P/N 29540976.

Service Parts Information:

Service filter kit, P/N 29538489, was released for use on AT 500 model transmissions with the 5.3 inch (deep) oil pan. This kit contains the following parts:

1	29538474	Polyester Filter
1	29538475	Grommet (AT)
1	29538479	Grommet (MT)
1	6762127	Sealring (MT)
1	29501160	Pan Gasket
1	6771005	Sealring (AT)

KH / SL4409EN

Allison Transmission, Inc.
Indianapolis, Indiana 46206-0894

Copyright 2007 Allison Transmission, Inc. All Rights Reserved.

To convert an AT with the 5.3 inch deep oil pan, that is equipped with former brass screen to the improved media filter, will require the following parts:

1	29538489	Polyester Filter Kit
1	29538463	Suction Tube
1	29538501	Filter Bracket

Conversion Procedure:

When converting an AT 500 transmission using a brass filter screen with the 5.3 (deep) oil pan to improved media current design filter, use the following procedure.

1. Drain the transmission fluid.
2. Remove the oil pan, filter, filter bracket, filter suction tube, and sealring from the main case.
3. Remove the gasket from the oil pan and the flange on the main case.
4. Install the new filter bracket P/N 29538501 and torque the two bolts to 8–12 lb ft (11–16 N·m).
5. Insert a new sealring, P/N 6771005, onto the long straight end of the oil suction tube, lubricate it with oil, and install it into the main case.
6. Lubricate the grommet, P/N 29538475, and install it into the grommet opening in the filter, P/N 29538474. Start one side and press down with your hand, it should snap into place.

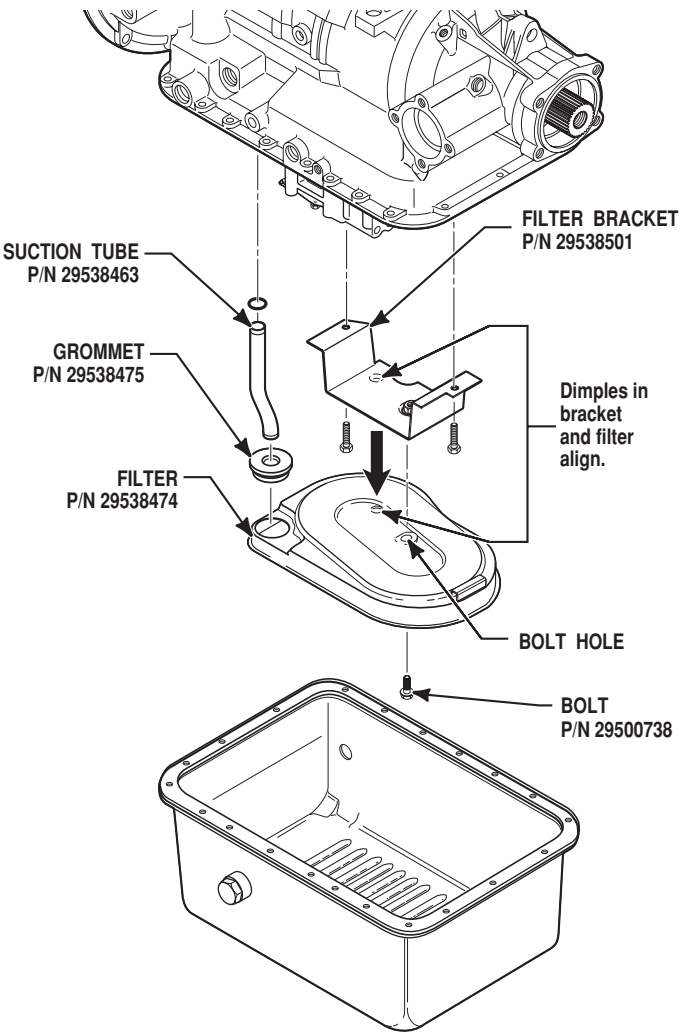
NOTE: The filter service kit contains grommets for both AT and MT transmissions. The grommet with the *small inside diameter*, P/N 29538475, is used for the AT.

7. Install the improved media filter onto the end of the suction tube and place the bolt hole in the filter over the threaded bolt hole in the filter bracket.

NOTE: Turn suction tube until it enters the grommet squarely.

The dimple in the bracket should align with the corresponding filter dimple (see Figure 1). Install bolt P/N 29500738 into the spacer and torque it to 10–15 lb ft (14–20 N·m).

8. Install a new pan gasket P/N 29501160 onto the oil pan flange. Insert two pan bolts, one in each side and install the oil pan onto the transmission main case.
9. Now install the remaining 19 oil pan bolts finger tight. Torque to 10–15 lb ft (14–20 N·m) evenly all the way around.
10. Stamp “FF” into the nameplate. This identifies that the transmission has been converted to the new improved media filter for future service reference.



**AT 500 SERIES TRANSMISSION
WITH SUMP OIL PAN**

V08082.00.00

Figure 1.